

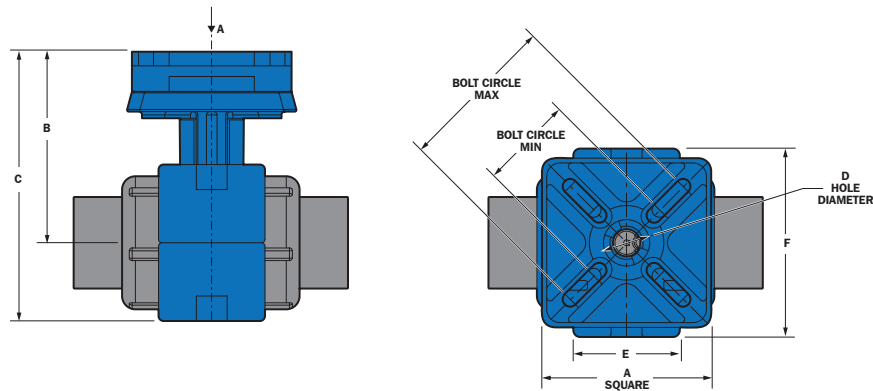


### Mini-Mount Combo Actuation Mounting Kits



- Separate, complete actuation mounting kit specially designed for True Union 2000 Industrial Ball Valve and for True Union 2000 Standard Ball Valve.
- Combines Multi-Mount Bracket with Mini-Mount Actuation Mounting Kit for additional mounting support.
- Universal actuator mounting plate accepts ISO, MSS or comparable square bolt-pattern actuators.
- Impact and corrosion resistant Polypropylene construction.
- Includes Stainless Steel hardware for mounting to valve.

**Notes:** 1) Does not fit True Union 2000 Industrial 3-way Ball Valves  
 2) Actuator coupling not included (see Valve Stem Output Detail for design of user supplied drive coupling).



### Dimensions

Valve Size	True Union 2000 Industrial Ball Valves	True Union 2000 Standard Ball Valves	Dimensions							
			A	B	C	D	E	F	Bolt Circle Max.	Bolt Circle Min.
1/2	TUAK2-005	TUAK3-005	3.18	2.95	4.14	.87	1.72	3.54	3.00	1.62
3/4	TUAK2-007	TUAK3-007	3.18	3.36	4.77	.87	1.81	3.54	3.00	1.75
1	TUAK2-010	TUAK3-010	3.18	3.60	5.09	.87	2.00	3.54	3.00	1.75
1-1/4	TUAK2-012	TUAK3-012	3.68	4.37	6.17	.87	2.00	4.13	3.75	2.00
1-1/2	TUAK2-015	TUAK3-015	3.68	4.64	6.64	.87	2.15	4.53	3.75	2.00
2	TUAK2-020	TUAK3-020	3.68	5.47	7.97	1.12	2.50	5.10	3.75	2.50
2-1/2 & 3	TUAK2-030	TUAK3-030	5.75	6.15	9.30	1.96	3.25	7.00	5.62	4.50
4	TUAK2-040	TUAK3-040	5.75	6.92	11.05	2.68	4.10	8.50	5.88	4.80

### Standard and Compact Foot Valve Screens



- Easily converts Ball Check Valve to a Foot Valve.
- Standard IPS spigot connection fits slip-socket valve end connector.
- Enlarged screen provides open area equivalent to valve for optimum flow characteristics.
- Chemical and corrosion resistant PVC, CPVC or Compact HDPE threaded construction.
- Compact fits any IPS socket or threaded Ball Check Valve



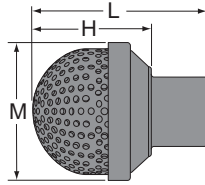
Typical Application  
 (VALVE NOT INCLUDED)



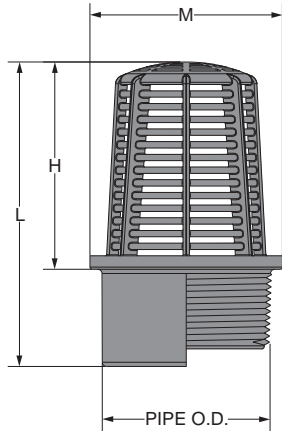
Valves Product Guide & Engineering Specifications  
**Ball Valve Accessories**

# PVC & CPVC Material

## Standard Dimensions



Size	Part Number		L	H	M
	PVC	CPVC			
1/2	FVS-005	FVS-005C	±1/16	±1/32	±1/16
3/4	FVS-007	FVS-007C	3-1/2	2-7/16	2-5/16
1	FVS-010	FVS-010C	3-5/8	2-9/16	2-5/8
1-1/4	FVS-012	FVS-012C	3-7/8	2-9/16	2-5/8
1-1/2	FVS-015	FVS-015C	5-15/32	4-1/64	4-7/16
2	FVS-020	FVS-020C	5-1/2	4-1/64	4-7/16
2-1/2	FVS-025	FVS-025C	6-7/16	4-3/4	5-5/8
3	FVS-030	FVS-030C	6-5/8	4-3/4	5-11/16
4	FVS-040	FVS-040C	6-29/32	4-3/4	5-3/4
6	FVS-060	FVS-060C	7-3/8	4-11/16	7-3/16



## Compact Dimensions HDPE Material

Size	Part Number			H	L		M	
	Threaded		Spigot		±1/16		±1/16	
	PVC	HDPE	PVC		Threaded	Spigot	Threaded	Spigot
1/2	CFVS1-005	CFVS1-005P	CFVS7-005	1-9/16	2-7/32	2-5/16	31/32	1-3/32
3/4	CFVS1-007	CFVS1-007P	CFVS7-007	1-27/32	2-1/2	2-25/32	1-7/32	1-5/16
1	CFVS1-010	CFVS1-010P	CFVS7-010	2-1/16	2-7/8	3-3/32	1-7/16	1-5/8
1-1/4	CFVS1-012	CFVS1-012P	CFVS7-012	2-7/32	3-1/4	3-15/32	1-27/32	2
1-1/2	CFVS1-015	CFVS1-015P	CFVS7-015	2-19/32	3-5/8	3-29/32	2-1/8	2-1/4
2	CFVS1-020	CFVS1-020P	CFVS7-020	2-15/16	4	4-5/16	2-5/8	2-3/4

## Valve Stem Output Detail

For All True Union 2000, Compact 2000, & Single Entry Ball Valves

Size	A (max.)	B (max.)	C (max.)	D (max.)	E (max.)		Flat (max.)	Fig
					1-PIN SLOT	3-PIN SLOT		
1/2	1.43	.26	.52	.26	.30	.21	N/A	3
3/4	1.79	.33	.56	.28	.30	.21		
1	2.10	.41	.62	.31	.33	.23		
1-1/4	2.61	.55	.56	.28	.32	.19		
1-1/2	2.87	.62	.75	.37	.38	.27		
2	3.52	.65	.95	.47	.44	.31		
2-1/2 & 3	5.28	1.16	1.28	.63	.56	.44	1.92	1
4	5.81	.91	1.86	.93	.75	.63		
6	7.53	1.33	2.12	N/A	N/A	N/A		

For Regular True Union & Compact\* Ball Valves

Size	A (max.)	B (max.)	C (max.)	D (max.)	E (max.)	Flat (max.)	Fig.
1/2	1.48	.31	.52	.26	.21	N/A	3
3/4	1.88	.35	.56	.28	.21		
1	2.18	.48	.62	.31	.23		
1-1/4	2.66	.66	.56	.28	.19		
1-1/2	2.87	.67	.75	.37	.27		
2	3.60	.89	.95	.47	.31		
2-1/2 & 3	4.86	1.01	1.48	N/A	N/A	1.21	1
4	6.24	1.33	2.12			1.92	
6	7.53	1.33	2.12			1.92	

\*The 2-1/2", 3" & 4" regular Compact Ball Valves have the same stem output detail as specified in the True Union 2000, Compact 2000, & Single Entry Ball Valves in preceding table.

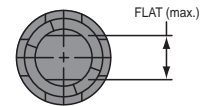


FIG. 1

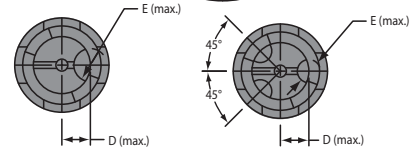
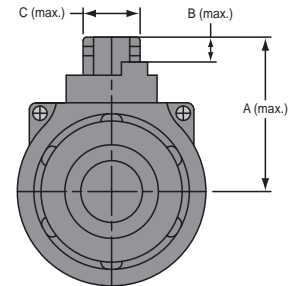


FIG. 2

FIG. 3

