



Valves Product Guide & Engineering Specifications True Union 2000 Industrial Ball Check Valves



Features – PVC, CPVC

Flow tested design provides quick response with positive seal for prevention of system back flow in industrial and chemical processing applications. Valves are available in IPS sizes 1/2" through 6" with socket/regular thread, SR threaded (Special Reinforced), flanged or spigot end connectors and 8" venturied valve with socket or flanged ends. Also available in metric socket and BSP thread sizes 1/2" through 2".

Sample Engineering Specification

All thermoplastic check valves shall be True Union 2000 Industrial Ball Check type manufactured to ASTM F 1970 and constructed from PVC Type I, ASTM D 1784, Cell Classification 12454 or CPVC Type IV, ASTM D 1784 Cell Classification 23447. All O-rings shall be EPDM or FKM. All valve union nuts shall have Buttress threads. All valve seats shall be a standard O-ring type. All seal carriers shall be Safe-T-Blocked®. All valve components shall be replaceable. All EPDM valves shall be listed by NSF® for use in potable water service. All PVC and CPVC 1/2" through 4" valves shall be pressure rated to 235 psi, all 6" and 8" Venturied and all flanged valves shall be pressure rated to 150 psi for water at 73°F as manufactured by Spears® Manufacturing Company.

- Chemical & Corrosion Resistant PVC or CPVC Construction
- Also Available in Spears® High Purity, Low Extractable PVC Material
- Strong, Buttress Thread Union Nuts
- Schedule 80 Full-Port Design
- Spears® Safe-T-Blocked® Seal Carrier
- Uses Standard O-ring Seat
- EPDM or FKM O-rings
- Fully Serviceable, Replaceable Components
- Sizes 1/2" - 4" Pressure Rated to 235 psi @ 73°F, Sizes 6" and 8" Venturied and all Flanged Pressure Rated to 150 psi @ 73°F
- Suitable for Either Horizontal or Vertical Installations
- EPDM valves NSF® Certified for Potable Water use
- Suitable for Vacuum Service
- Assembled with Silicone-Free, Water Soluble Lubricants
- Manufactured to ASTM F 1970

Quick-View Valve Selection Chart

Valve Size	O-ring Material	PVC Part Number ¹					Pressure Rating	
		Socket	Threaded	SR Threaded	Flanged	Spigot		
1/2	EPDM	4529-005	included	4521-005SR	4523-005	4527-005	235 psi Non-Shock Water @ 73°F	
	FKM	4539-005	included	4531-005SR	4533-005	4537-005		
3/4	EPDM	4529-007	included	4521-007SR	4523-007	4527-007		
	FKM	4539-007	included	4531-007SR	4533-007	4537-007		
1	EPDM	4529-010	included	4521-010SR	4523-010	4527-010		
	FKM	4539-010	included	4531-010SR	4533-010	4537-010		
1-1/4	EPDM	4529-012	included	4521-012SR	4523-012	4527-012		
	FKM	4539-012	included	4531-012SR	4533-012	4537-012		
1-1/2	EPDM	4529-015	included	4521-015SR	4523-015	4527-015		(Flanged 150 psi Non-Shock) Water @ 73°F
	FKM	4539-015	included	4531-015SR	4533-015	4537-015		
2	EPDM	4529-020	included	4521-020SR	4523-020	4527-020		
	FKM	4539-020	included	4531-020SR	4533-020	4537-020		
2-1/2	EPDM	4522-025	4521-025	4521-025SR	4523-025	4527-025		
	FKM	4532-025	4531-025	4531-025SR	4533-025	4537-025		
3	EPDM	4522-030	4521-030	4521-030SR	4523-030	4527-030		
	FKM	4532-030	4531-030	4531-030SR	4533-030	4537-030		
4	EPDM	4522-040	4521-040	4521-040SR	4523-040	4527-040		
	FKM	4532-040	4531-040	4531-040SR	4533-040	4537-040		
6	EPDM	4522-060	4521-060	4521-060SR	4523-060	4527-060	150 psi Non-Shock Water @ 73°F	
	FKM	4532-060	4531-060	4531-060SR	4533-060	4537-060		
8 ²	EPDM	4522-080	—	—	4523-080	—		
	FKM	4532-080	—	—	4533-080	—		

1: For CPVC valve, add the letter "C" to the part number (e.g., 4529-005C, 4521-005CSR)
2: 8" Venturied Valves are 6" ball valves fitted with 6x8 end connector adapters

Optional Accessories*

- Retro-Fit End Connector Sets for Valve Replacement
- Split-Nut Repair Kits for Union Nut Replacement
- Supplemental End Connectors

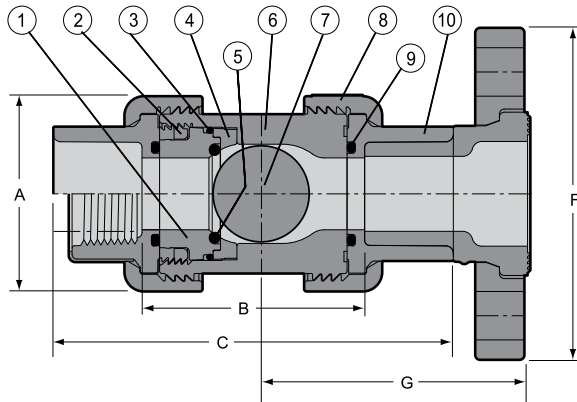
* See "BALL VALVE ACCESSORIES" section for details of individual products.

Ball Check Foot Valves



Spears® Ball Check Valves easily convert to foot valves utilizing optional Foot Valve Screen adapters found in Ball Valve Accessories section.

Valves Product Guide & Engineering Specifications True Union 2000 Industrial Ball Check Valves



Replacement Parts

No.	Component	Qty.	Material
1	Seal Carrier	1	PVC/CPVC
2	Seal Carrier Nut	1	PVC/CPVC
3	Carrier O-ring	1	EPDM/FKM
4	Seat Plate	1	PVC/CPVC
5	Seat O-ring	1	EPDM/FKM
6	Body	1	PVC/CPVC
7	Ball	1	PVC/CPVC
8	Union Nut	2	PVC/CPVC
9	End Connector O-ring	2	EPDM/FKM
10	End Connector	2	PVC/CPVC

Dimensions, Weights, & Cv Values

Nominal Size	Dimensions Reference (inches, ± 1/16)								Approx. Wt. (Lbs.)		Cv Values			Horizontal Closing	
	A	B ¹		C			F	G	PVC	CPVC	Soc/Thd	Flange	Spigot	Feet of Head (water)	GPM (minimum)
		Soc/Thd	Spigot	Socket	Thread	Spigot									
1/2	1-7/8	2-7/16	2-7/8	4-3/16	3-13/16	4-5/8	3-1/2	2-31/32	.30	.33	6.3	6	6.3	1.6	.10
3/4	2-1/4	2-3/4	3-1/4	4-3/4	4-1/4	5-1/4	3-7/8	3-5/16	.46	.50	17	16	17	1.6	.10
1	2-1/2	2-7/8	3-1/2	5-1/8	4-11/16	5-3/4	4-1/4	3-5/8	.70	.74	25	24	25	1.6	.25
1-1/4	3-1/16	3-1/4	3-3/16	5-3/4	5-3/16	6-5/16	4-5/8	3-31/32	1.04	1.09	65	61	65	1.6	.40
1-1/2	3-1/2	3-1/2	4	6-1/4	5-7/16	6-3/4	5	4-3/8	1.37	1.45	86	82	86	1.6	.75
2	4-5/16	4-25/32	5-3/16	7-3/4	7-27/32	8-1/4	6	5-1/4	2.47	2.62	130	125	130	1.6	.75
2-1/2	6-3/16	5-7/8	7-13/16	9-5/16	8-1/2	11-3/8	7-1/2	6	6.80	7.25	200	193	200	1.0	1.50
3	6-3/16	6-7/8	7-13/16	10-11/16	9-3/4	11-9/16	7-1/2	6-13/16	6.98	7.35	275	268	275	1.0	4.00
4	7-3/4	7-5/16	8-1/4	11-13/16	10-1/4	12-3/4	9	7-1/2	12.13	12.96	500	489	500	1.0	5.50
6	11-5/8	11-1/6	13	17-1/16	15-3/4	18-1/2	11-1/4	10-3/16	37.07	39.98	800	794	800	N/A	N/A
8 ³	11-5/8	23-3/16	---	31-7/8	---	---	13-1/2	17-13/16	50.84	55.92	N/A	N/A	N/A	N/A	N/A

1: Valve Lay Length

2: Gallons per minute at 1 psi pressure drop. Valves calculated from laying length, based on derivative of Hazen-Williams equation with surface roughness factor of C=150.

3: 8" Venturied Valves are 6" ball valves fitted with 6x8 end connector adapters

Temperature Pressure Rating

System Operating Temperature °F (°C)		100 (38)	110 (43)	120 (49)	130 (54)	140 (60)	150 (66)	160 (71)	170 (77)	180 (82)	190 (88)	200 (93)	210 (99)	
Valve Pressure Rating (psi (MPa))	1/2" - 4"	PVC	235 (1.62)	211 (1.45)	150 (1.03)	75 (.52)	50 (.34)	-0- (-0-)	-0- (-0-)	-0- (-0-)	-0- (-0-)	-0- (-0-)	-0- (-0-)	
		CPVC	235 (1.62)	219 (1.51)	170 (1.17)	145 (1.00)	130 (.90)	110 (.76)	90 (.62)	80 (.55)	70 (.48)	60 (.41)	50 (.34)	-0- (-0-)
	6" and 8"	PVC	150 (1.03)	135 (.93)	110 (.76)	75 (.52)	50 (.34)	-0- (-0-)	-0- (-0-)	-0- (-0-)	-0- (-0-)	-0- (-0-)	-0- (-0-)	-0- (-0-)
		CPVC	150 (1.03)	140 (.97)	130 (.90)	120 (.83)	110 (.76)	100 (.70)	90 (.62)	80 (.55)	70 (.48)	60 (.41)	50 (.34)	-0- (-0-)

NOTE: Flanged valves have a base pressure rating of 150 psi

General Installation Information: Ball check valves may be installed in either horizontal or vertical position. A minimum of ten (10) pipe diameters distance maintained from any pump or other source of turbulence. Check valves **MUST** be installed with the valves **FLOW** arrow pointing in the direction of flow.